

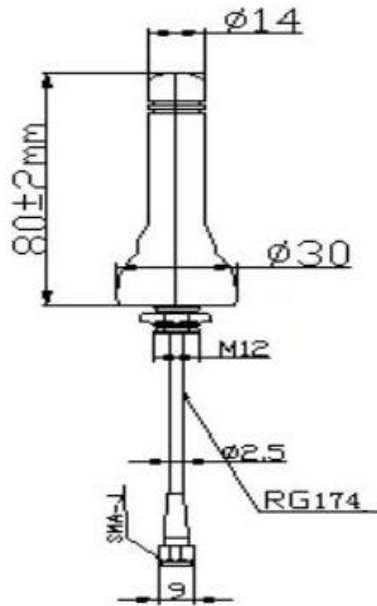
InB-GPS-M100-SMA



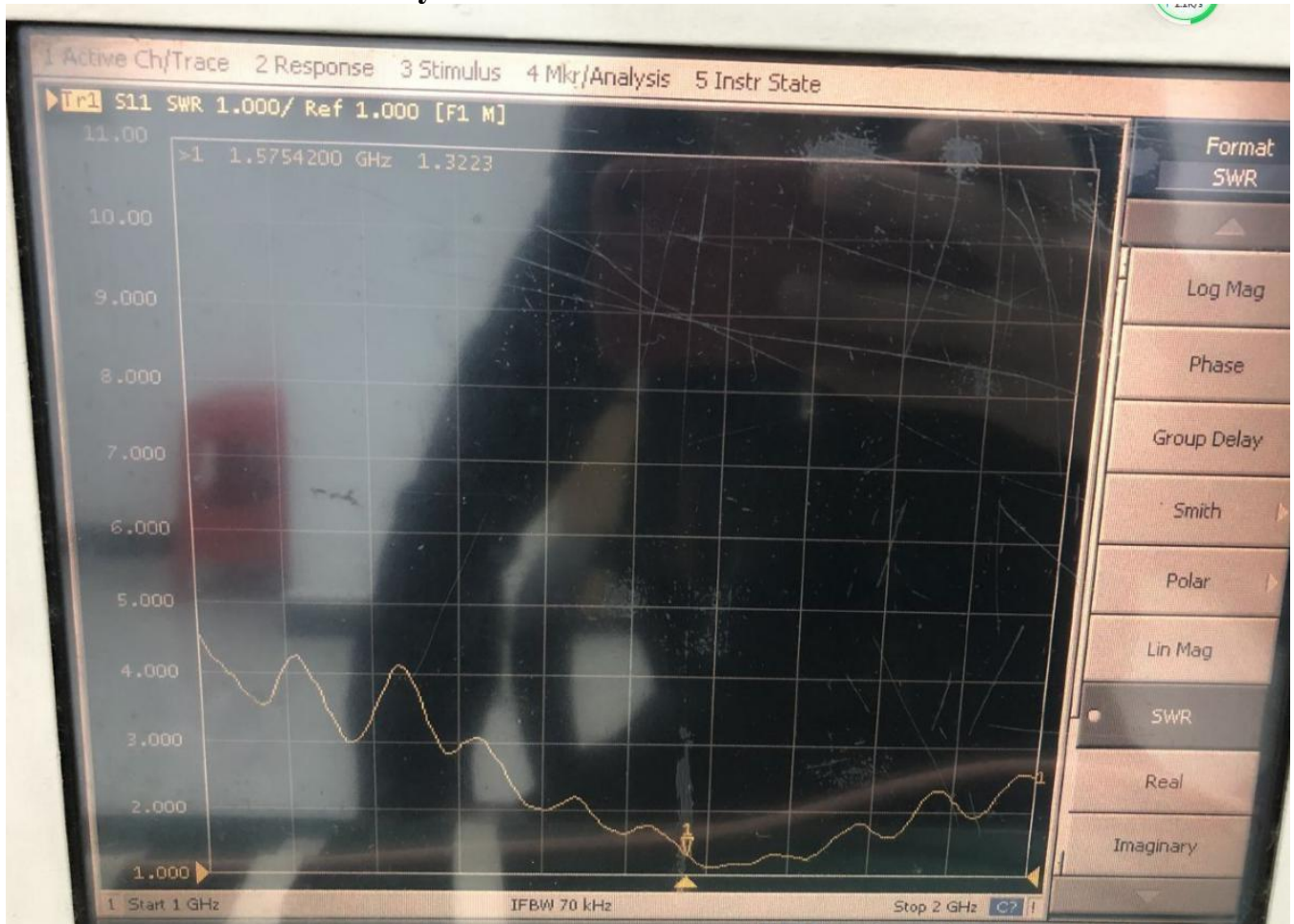
Technical Specs

Working Frequency (MHZ)	1575.42
Bandwidth (MHz)	≥12
Gain (dBi)	5.0
VSWR	≤2.0
Input Impedance (Ω)	50
Max Power (W)	100
Polarization (w)	Vertical
Size (mm)	80*30
Cable Material	RG174
Cable Length (m)	1 (Customized)
Cable Connectors	SMA/RP-SMA
Working Temperature (°C)	-30°C~+60°C
Antenna Color	Black

Dimension



Stationary Wave Pattern



Frequency ID	1	2	3	4	5	6	7	8	9	10	11
Frequency (MHz)	1570.0	1571.0	1572.0	1573.0	1574.0	1575.0	1576.0	1577.0	1578.0	1579.0	1580.0
Efficiency (dBi)	-3.43	-3.43	-3.42	-3.42	-3.42	-3.42	-3.42	-3.43	-3.43	-3.43	-3.43
Gain (dBi)	0.77	1.26	1.53	2.39	2.35	0.79	1.20	1.38	2.33	2.32	0.80
Efficiency (%)	45.35	45.41	45.48	45.50	45.49	45.48	45.46	45.44	45.39	45.38	45.39
Directivity (dB)	4.20	4.69	4.96	5.81	5.77	4.21	4.62	4.80	5.76	5.75	4.23
Peak Gain Position (Theta)	138.00	75.00	21.00	53.00	95.00	138.00	76.00	21.00	53.00	95.00	138.00
Peak Gain Position (Phi)	158.00	311.00	66.00	319.00	308.00	158.00	311.00	66.00	320.00	308.00	157.00
Efficiency ThetaPol (%)	33.17	33.29	33.46	33.56	33.57	33.59	33.64	33.74	33.78	33.80	33.83
Efficiency PhiPol (%)	12.19	12.13	12.02	11.94	11.92	11.89	11.82	11.69	11.61	11.58	11.56
Upper Hem. Efficiency (%)	19.21	20.84	19.16	16.45	16.45	19.10	20.73	19.03	16.31	16.29	18.89
Lower Hem. Efficiency (%)	26.14	24.57	26.32	29.05	29.04	26.37	24.72	26.41	29.08	29.10	26.50

